



Conductivity Sensor 5860

The Conductivity Sensor 5860 is a compact fully integrated sensor for measuring the electrical conductivity of seawater. 5860 is designed to be used as stand-alone sensor using RS-232. For other applications with 10-pin lemo insert and either AiCaP, RS-232 or RS-422 please refer to Conductivity Sensor 4319/4419.

Advantages:

- Direct readout of engineering data
- Internal pressure never exceeds 1 bar therefore electronics and sensors are unaffected by sea depth
- Rugged and robust with low maintenance needs
- Output format: RS-232
- 3 depth ranges available max. 6000 meters

Conductivity is a key parameter for in-situ determination of several fundamental physical properties of seawater.

For seawater, the ability to conduct electrical current is mostly dependent on temperature and the amount of inorganic dissolved solids.

This means that, together with temperature and depth information, a good estimate of the salinity may be determined.

Salinity is defined as the concentration of dissolved solids. Other important properties of seawater are again dependent on the salinity. Among these are the density and the speed of sound.

The Conductivity Sensor 5860 is based on an inductive principle. This provides for stable measurement without electrodes that are easily fouled and may wear out in the field.

Utilization of miniature components have made it possible to integrate all the required electronics.

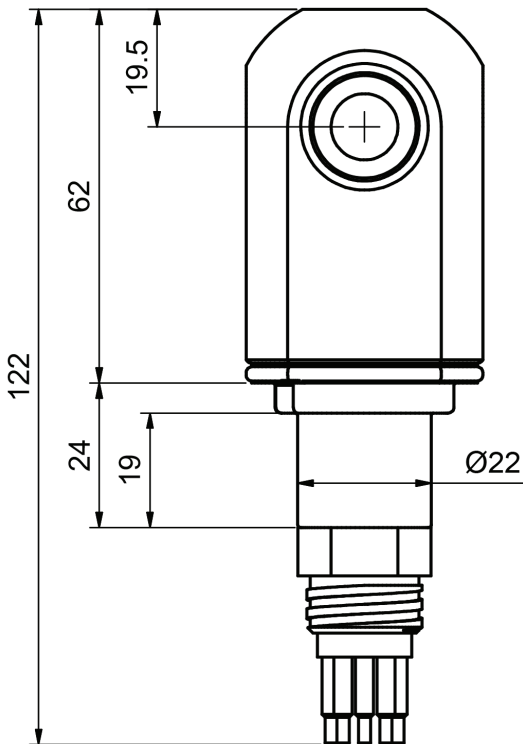
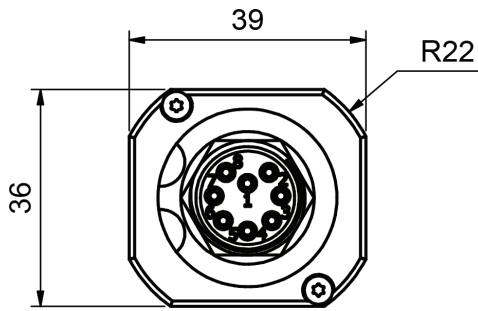
The output format for 5860 are RS-232.

Output parameters are conductivity, temperature, salinity, density and sound speed. Data can be presented in engineering units or raw data.

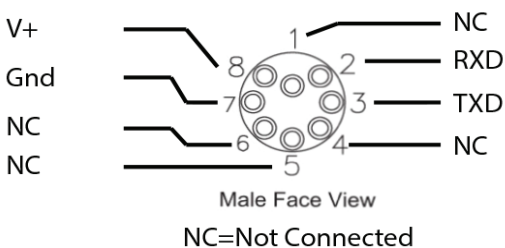
Aanderaa offer a easy to use configuration software; AADI Real-Time Collector, both for configuration but also logging of data.

As alternative to this software you may also use a terminal software like Terra Term or Hyper Terminal.

Specifications



PIN CONFIGURATION SUBCONN MCBH8



Conductivity:

Range:	0-7.5S/m (0-75mS/cm)
Resolution:	0.0002S/m (0.002mS/cm)
Accuracy:	
5860A	±0.005S/m (±0.05mS/cm)
5860B	±0.0018S/m (±0.018mS/cm)
Response Time (90%):	<3s ¹⁾

Temperature:

Range:	-5-40°C (23-104°F) ²⁾
Resolution:	0.01°C (0.018°F)
Accuracy:	±0.05°C (0.09°F)/(±0.1°C (0.18°F) for interval <30s.)
Response Time (63%):	<10 seconds

Output format:

RS-232

Output Parameter:

Conductivity, temperature, salinity, density and sound of speed

Sampling interval:

2 sec - 255 min

Supply voltage:

5 to 14VDC

Current drain:

Average:	0.16 +48mA/S where S is sampling interval in seconds
Maximum:	100mA
Quiescent:	1.5mA

Operating depth:

Shallow Water (SW):	0-300m (0-984.3ft)
Intermeditate Water (IW):	0-3000m (0-9843ft)
Deep Water (DW):	0-6000m (0-19690ft)

Electrical connection:

8-pin Subconn MCBH8M

Dimension (WxDxH):

36 x 39 x 122mm (1.4"x1.5"x4.8")

Weight:

280g (8.466oz)

Materials:

Epoxy coated titanium

Accessories

not included:	Resistor Set 3719 for functional test Sensor Cable 5335
---------------	--

¹⁾ Dependant on flow through cell bore

²⁾ Calibrated range is 0 to 36°C (32-96.8 °F)

The above specifications are for the stand-alone sensor only, not the installation it is utilized with.

Specifications subject to change without prior notice.



Aanderaa Data Instruments AS
Sanddalsringen 5b
P.O. Box 103 Midtun
5843 Bergen, Norway
Tel +47 55 60 48 00
Fax +47 55 60 48 01